

TSOL-M350/M400



Maximized Efficiency

- Individual optimization, separate dedicated MPPT for each panel.
- New topology design, max. efficiency up to 96.7%.

Flexibility

- Suitable for TSOL-ESK series AC module solution.
- Plug & play installation, Easy to install.

Safety

- Max. DC voltage 60V. No threat for high DC voltage.
- Integrated LoM protection function. Ensure the safety of power grid.

Reliability

- Die casting design and glue filling technology. Better thermal dissipation.
- Standard 12 years warranty, Quality guaranteed.

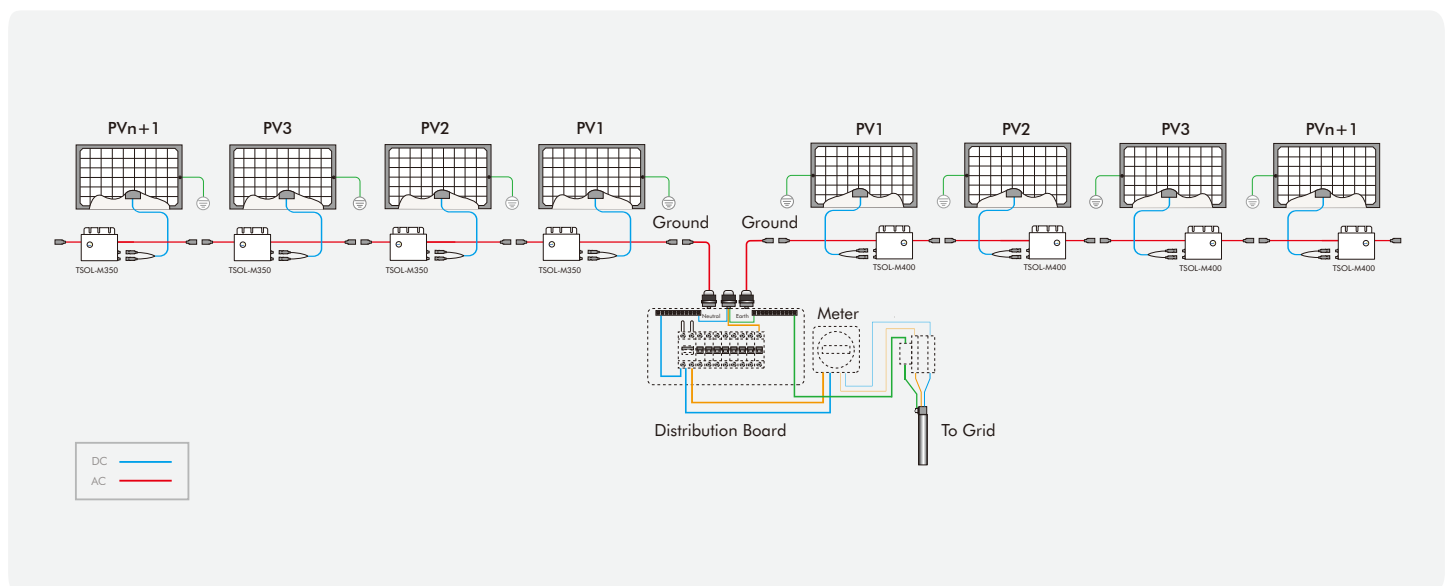
CE VDE 0126 VDE 4105 EN 50549 UL 1741

Technical Data

Model	TSOL-M350	TSOL-M400
Input (DC)		
Recommended Input Power [W]	240-380	280-440
MPPT Voltage Range [V]	32-48	33-48
Operating Voltage Range [V]	16-60	16-60
Max. Input Voltage [V]	60	60
Max. Input Current [A]	10.5	11.5
Max. Input Short Circuit Current [A]	15	15
Output [AC]		
Max. Continuous Output Power [W]	300	350
Nominal Output Current [A]	1.3	1.52
Max. Output Current [A]	1.45	1.59
Nominal Output Voltage [V] *	220/230/240, L/N/PE	
Nominal Frequency [Hz] *	50/60	
Power Factor	>0.99	
Output Current Harmonic Distortion	<3%	
Max. Units Per Branch	18	16
Efficiency		
Peak Inverter Efficiency	96.7%	
CEC Weighted Efficiency	96.5%	
Nominal MPPT Efficiency	99.9%	
Night Time Power Consumption [mW]	<50	
Mechanical Data		
Dimensions (WxHxD) [mm]	178×153×28	
Weight [kg]	1.98	
Type of Enclosure	IP67	
Cooling	Natural Convection	
Environmental Data		
Operating Ambient Temperature Range [°C]	-40°C to 65°C	
Operating Internal Temperature Range [°C]	-40°C to 85°C	
Relative Humidity	0-100 % condensing	
Max. Operating Altitude Without Derating [M]	2000	
Monitor	2.4G RF	

※ The AC voltage and frequency range may vary depending on specific country grid.

Diagram



For more information, visit/contact us at www.tsun-ess.com

©2019 TSUNESS. All rights reserved. All specifications are subject to change without prior notice.